

CX-12

DMX 96 Control channel Dimming Controller

【 User Manual 】



Lite-Puter Enterprise Co., Ltd.

Website: www.liteputer.com.tw

E-mail: sales@liteputer.com.tw

Introduction

CHAPTER 1. FUNCTION

1-1 Feature	2
1-2 Specification	2
1-3 Dimension	3

CHAPTER 2. SPECIFICATION

2-1 The feature function of control panel	4
2-2 The feature function of rear panel	5

CHAPTER 3. POWER SWITCH

CHAPTER 4. CHANNEL

4-1 Brightness of control channel	7
4-2 Modification of brightness of control channel	8
4-3 Delete brightness of control channel	8

CHAPTER 5. SCENE

5-1 SCENE setting.....	9
5-2 SCENE 1... SCENE 96 loading.....	10

CHAPTER 6. SEQUENCE

6-1 SEQUENCE Editing	12
6-2 SEQUENCE Modify	13
6-3 CHASE Loading	13
6-4 CHASE Fade On/Off Setting.....	14
6-5 To stop the CHASE execution	15

CHAPTER 7. A/B CROSS FADERS SWITCHING

7-1 Save SEQUENCE into A/B CROSS FADER	16
7-2 Load A/B CROSS FADER	16
7-3 Pause A/B CROSS FADER	16

CHAPTER 8. SET FUNCTION

8-1 LCD display / system default setting	17
8-2 output memory card loading / saving	18
8-3 Channel patch setting / warm up setting	19
8-4 Lock / Unlock setting	21

Chapter 1. CX-12 Feature & Function

1-1 Feature

- Dual control signal output
(1.) DMX512 / 1990 (2.) 24 channel analog signal output 0 - 10V
- 96 control channel, and able to control up to CH97 – CH512 by patch
- 4 set of PATCH editing function
- 96 set of scenes pre-set
(24 set of scenes able to save on every single page function)
- 24 set of chase preset
- Up to 64 scene step on each chase setting
- 2 set of individual control stick for scenes change (CROSS FADE)
- Audio control available
- output external memory card saving / loading (option)

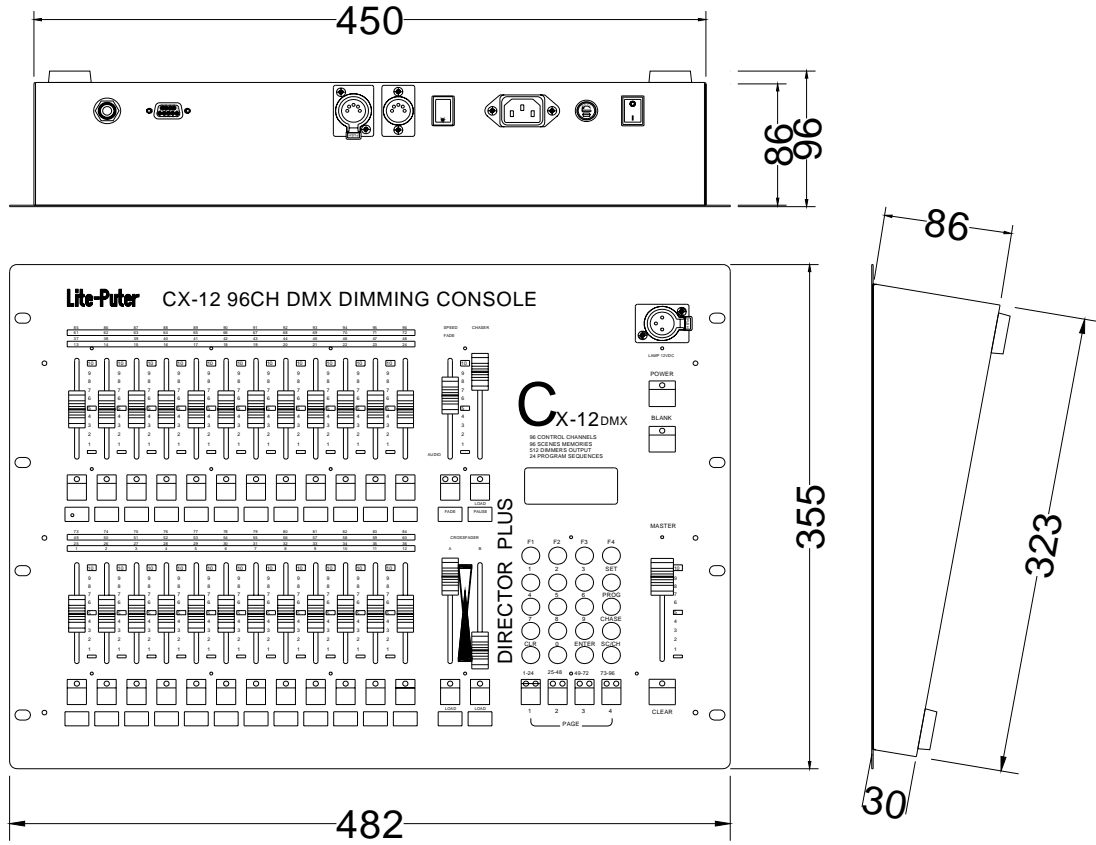
1-2 Specification

■ Power supply	AC 90-240V, 45-63Hz
■ Digital control signal input / output	DMX512 / 1990
■ Digital control channel	512channel by PATCH able to control CH 97 – CH 512
■ Digital control connector	XLR 5-pin
■ Audio input	Internal microphone MAX 120dB , output max. value :AC 100mV
■ Gooseneck connector stand	XLR 3 -pin, DC +12V 250mA
■ Memory card	64k*2
■ Dimension	19" 8U standard rack 482(w) x 352(h)x125(d)mm
■ Weight	5 Kg

Warning !

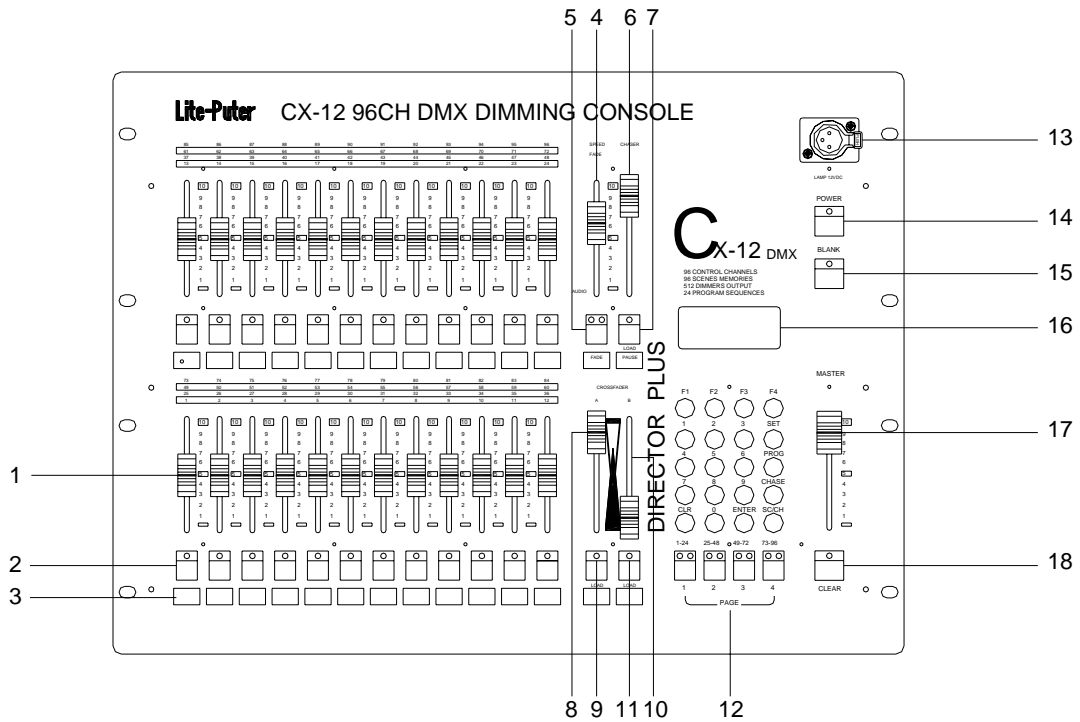
1. Recharge the battery at least 24 hours on before start running. (power switch turn to ON locate on rear panel)
2. After first use, the saving data may lost if without battery recharge in 7 days!

1-3 Dimension



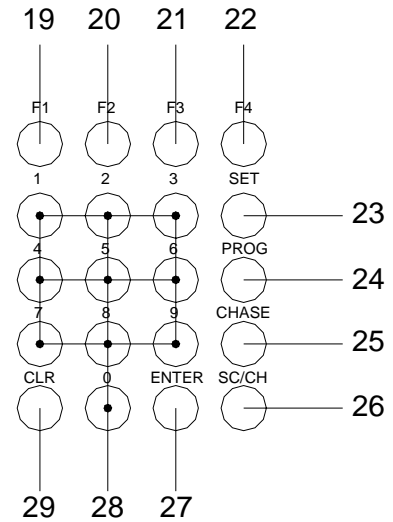
CHAPTER 2. CX-12 SPECIFICATION

2-1 Introduction of control panel

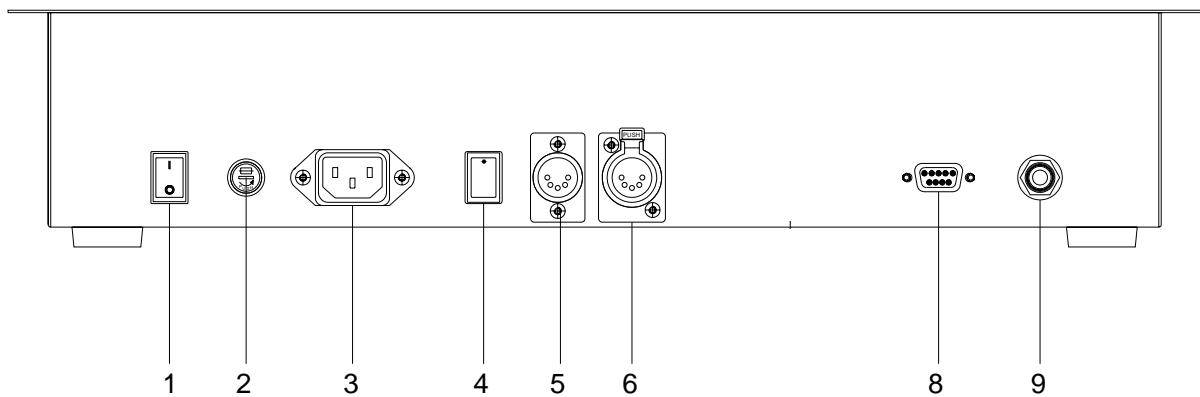


- (1.) **VR1 ~ VR24** VR VR1 ~ VR24
- (2.) **P1 ~ P24** hot key P1 ~ P24
 function 1 : The LED on function key display the channel status (In channel mode)
 function 2 : In SCENE mode, for SCENE selection
 function 3 : FLASH
 function 4 : LOAD + P1 - P24 hot key for chase function 可快速呼叫跳機程式
- (3.) Blankindication / memo for user
- (4.) **SPEED / FADE** VRAdjustment of chase speeding / CROSS FADE speeding
- (5.) **FADE save key**CROSS FADE mode use
- (6.) **CHASER** VRchase brightness value adjustment
- (7.) **LOAD / PAUSE**Load / Pause : auto chase mode use
- (8.) **A-CROSSFADER** VR.....Manual chase A execution mode
- (9.) **LOAD**Load / Switch : Manual chase A mode use
- (10.)**B-CROSSFADER** VRManual chase B execution mode use

- (11.)LOAD.....Load / Switch : Manual chase B mode use
- (12.)PAGE.....PAGE 1~PAGE 4
- (13.)Gooseneck.....C+12V 250 Ma
- (14.)POWER.....power switch
- (15.)BLANK.....Pause
- (16.)LCD.....LCD display
- (17.)MASTER VR.....Master VR
- (18.)CLEAR.....output clear
- (19.)F1.....function key
- (20.)F2.....function key
- (21.)F3.....function key
- (22.)F4.....function key
- (23.)SET.....function key
- (24.)PROGRAM.....function key
- (25.)CHASE.....Chase execution
- (26.)SC/CH.....scene/channel switch
- (27.)ENTER.....enter key
- (28.)0 ~ 9.....0 ~ 9
- (29.)CLR.....Clear



2-2 REAR PANEL



- (1) Power switch
- (2) fuse
- (3) AC 100-240V 50-60 Hz
- (4) goosenecks power switch
- (5) DMX 512 input
- (6) DMX 512 output
- (8) memory card
- (9) audio input

CHAPTER 3 Switch

Switch on

- (1.) Plug into power source, and turn the power switch on rear panel
- (2.) Turn the power switch on front panel, and check the LCD display status
- (3.) Be sure that the LED on BLANK is off

Switch off

- (1.) Turn off the power switch on front panel

Battery recharging mode

- (2.) Turn off the power switch on rear panel

Battery un-recharge, 7 days duration of save data maintains only

Remark : The using status will keeping on after power off

Chapter 4. CHANNEL

4-1 Brightness value

STEP-1 Adjust the **【MASTER VR】** to the top (**MASTER VR** adjust all control channel brightness value)

STEP-2 press **【SC/CH】** key, to select the control channel mode (LED show green light on page key)

STEP-3 press **【PAGE 1】**, adjust **【VR 1 ~ VR 24】**, to set CH. 01 ~ 24 brightness value.

PAGE START CH01
CHASE FADE ON
F1/2 : FADE ON/OFF

STEP-4 press **【PAGE 2】**, adjust **【VR 1 ~ VR 24】** to 0 value, and adjust **【VR 1 ~ VR 24】** to set CH. 25 ~ 48 of brightness value.

PAGE START CH25
CHASE FADE ON
F1/2 : FADE ON/OFF

STEP-5 press **【PAGE 3】**, adjust **【VR 1 ~ VR 24】** to 0 value, and adjust **【VR 1 ~ VR 24】** to set CH. 49 ~ 72 of brightness value.

PAGE START CH49
CHASE FADE ON
F1/2 : FADE ON/OFF

STEP-6 press **【PAGE 4】**, adjust **【VR 1 ~ VR 24】** to 0 value, and adjust **【VR 1 ~ VR 24】** to set CH. 73 ~ 96 of brightness value.

PAGE START CH73
CHASE FADE ON
F1/2 : FADE ON/OFF

p.s. when on page function, the VR should be adjust to 0 value, and move the VR key to get the new dimming value

4-2 Brightness modification

STEP-1 press **【PAGE 1】** (ch1-24)

PAGE START CH01
CHASE FADE ON
F1/2 : FADE ON/OFF

STEP-2 adjust **【VR 1】** key to CH01=00 value, and adjust VR key to top CH01=FL, then adjust the **【VR 1】** key to CH01=50 to change the setting.

4-3 setting delete

adjust **【VR 1 ~ VR 24】** and **【MASTER VR】** key to the bottoms "0", and press the CLEAR key on below of "MASTER VR" key to delete.

Chapter 5 SCENE

5-1 SCENE setting

STEP-1 please refer to the chapter 4, adjust the dimming value on the control channel.

STEP-2 press **【PROG】**

F1: Scene
F2: Sequence

STEP-3 press **【F1】** ,and select SCENE mode :

F1: Load F3: Clear
F2: Save

STEP-4 press **【F2】** ,to save the SCENE

SELECT [01..... 96]
SAVE SCENE 01

STEP-5 press **【ENTER】** to confirm the selection

ARE YOU SURE ?F1
SAVE SCENE 01

STEP-6 for further SC2 --- SC96 setting, please refer to the setting procedure of above

Each **【PAGE】** 24 set of SCENE setting available

4 PAGE able to store 96 set of scene

5-2 SCENE 1 ... SCENE loading

5-2-1 use [PROG] key for SCENE loading

STEP-1 Set all dimming value to 0% (refer to 4-3)

STEP-2 Adjust **[MASTER VR]** key for dimming value

STEP-3 Press **[PROG]** , and press **[F1]** to select the SCENE mode

F1: Scene
F2: Sequence

STEP-4 Press **[F1]** key for SCENE loading

F1: Load F3: Clear
F2: Save

STEP-5 Press **[0...9]** key for number of SCENE loading

SELECT [01..... 96]
LOAD SCENE 01

STEP-6 Press **[ENTER]** to confirmed the scene loading

5-2-2 use [SC/CH] key for SCENE loading (FLASH status)

[PAGE] LED	SCENE mode
[PAGE] LED	CHANNEL mode

STEP-1 Set all dimming value to 0%. (refer to 4-3)

STEP-2 Adjust the **[MASTER VR]** key

STEP-3 Press **[PAGE 1]**

STEP-4 Press **【SC/CH】** to select the **SCENE** mode.

STEP-5 Press **【P 1】** for SCENE loading. (Flash status)

5-2-3 Adjust the 【VR 1 ~ VR 24】 key for SCENE loading

STEP-1 Adjust all control channel dimming value to 0% (refer to 4-3)

STEP-2 Adjust the **【MASTER VR】**

STEP-3 Press **【PAGE 1】**

STEP-4 press **【SC/CH】** to select **SCENE** mode (LED light on RED on PAGE key)

STEP-5 Adjust **【VR 1】** key to for SCENE loading

【1】 5-2-1 or 5-2-2 : SCENE speed loading

【2】 5-2-3 : Adjust the VR key for dimming function

Chapter 6. SEQUENCE / CHASE

"SEQUENCE"

- meaning : 2 set of scene or more of scenes for chase setting
- Function : Provide the " CHASE " & " A/B CROSS FADER " control procedures
- Data memory: up to 24 SEQUENCE of memory data , and up to 64 step per SEQUENCE setting

6-1 SEQUENCE Editing

STEP-1 Press **【PROG】** key

F1: Scene
F2: Sequence

STEP-2 Press **【F2】** key to select Sequence mode

F1: Load F3: Edit
F2: Save F4: Clear

STEP-3 Press **【F3】** key for Sequence editing

F1 / 2/ 3/ 4=1/ + / - /E
SEQU.STEP01=S - -

press **【F1】** back to STEP-01
press **【F2】** forward
press **【F3】** reward
press **【F4】** to save

STEP-4 Use **【0...9】**key to select the SCENE, and press **【ENTER】**key to confirmed the selection

F1 / 2/ 3/ 4=1/ + / - /E
SEQU.STEP01=S - -

STEP-5 according to the STEP-3 procedures, to continues the SCENE setting, and press **【F4】** key to complete the editing, and press **【ENTER】** to save

SELECT [01...24]
SAVE SEQUENCE01

6-2 SEQUENCE Modification

STEP-1 Press **【PROG】** key

F1: Scene
F2: Sequence

STEP-2 and press **【F2】** key to select Sequence mode

F1: Load F3: Edit
F2: Save F4: Clear

STEP-3 press **【F1】** key, and press **【0...9】** key to select Sequence

SELECT [01..24]
LOADSEQUENCE01

STEP-4 Press **【ENTER】** key to confirmed.

F1: Load F3: Edit
F2: Save F4: Clear

STEP-5 Press **【F3】** key for Sequence setting

6-3 CHASE Loading

6-3-1 CHASE loading

EX : to load the 1st set of chase

CHASE number = SEQUENCE number

STEP-1 press **【CHASE】** key

SELECT 01...24
CHASE: OFF 01

STEP-2 and press **【0...9】** to select the CHASE, and press **【ENTER】** to confirm the selection

```
SELECT      01...24
CHASE: OFF  01
```

STEP-2 adjust the **【CHASER FADER VR】** to the top.(chase dimming value)

STEP-3 adjust **【SPEED FADER VR】** for chase speeding, for audio control, the VR key should move to “ 0% “ value.

6-3-2 Use **【P1-P24】** for chase loading

STEP-1 press **【LOAD/PAUSE key on below of CHASER FADER VR】+【P 1】** keys together, for 1st set of chase loading, and press **【P 2】** key for the following chase loading

Press **【LOAD/PAUSE key on below of CHASER FADER VR】** again to pause the chase function, and press the same keys again to continue

Refer to 6-1& ~ 6-2 of setting procedures, for further chase setting, up to 24 set of chase setting available. And refer to 6-1 for chase loading

6-4 CHASE Fade On/Off Setting

STEP-1 adjust the **【CHASER FADER VR】** or **【SPEED FADER VR】**

```
CHS=FL      SPEED=FL
OFF          Step=01
CHASE FADE ON
F1/2:FADE ON/OFF
```

STEP-2 press **【F1】** key, to enter **CHASE FADE ON MODE.**

press **【F2】** key, to enter **CHASE FADE OFF MODE.**

```
CHS=FL      SPEED=FL
OFF          Step=01
CHASE FADE ON
F1/2:FADE ON/OFF
```

```
CHS=FL      SPEED=FL
OFF          Step=01
CHASE FADE OFF
F1/2:FADE ON/OFF
```

6-5 to stop the CHASE execution

function 1.

Press twice **【CHASE】** key to stop

function 2.

Adjust the **【CHASE FADER VR】** key to the “ 0% “ value to stop

Chapter 7 A/B CROSS FADERS Scene switching

"A/B CROSS FADER"

- 2 set of individual scene control VR
- In SEQUENCE mode, use A/B CROSSFADER to execute the manual chase function.

7-1 To save the SEQUENCE to A / B CROSS FADER

EX : To load the Sequence to A CROSS FADER

STEP-1 Press **【LOAD key on below of A CROSS FADER】** + **【P 1】** keys together to save the current sequence into A CROSS FADER.

7-2 To load A / B CROSS FADER data

Function 1 : press the Load key on below of A/B CROSS FADER

The Fader time of A/B CROSS FADER control by SPEED VR key, according to 7-1, to load the saving data from the SEQUENCE by A CROSS FADER.

STEP-1 Adjust **【SPEED / FADE VR】** key, and press **【FADE】** to confirmed the speed setting, adjust the speed VR key, and press FADE key for modification

STEP-2 Press **【A CROSS FADER VR】** to the top, and press **【LOAD】** key for loading

Function 2: use A/B CROSS FADER VR

According to the setting procedures of above, use the **【A CROSS FADER VR】** key for further setting

7-3 To pause the A / B CROSS FADER

Adjust the **【A CROSS FADER VR】** key to the "0%" value, and press **【LOAD】** key to pause / stop

Chapter 8 Other function setting

8-1 LCD display / default setting

8-1-1 Power switch of LCD background lighting

STEP-1 Press **【SET】**

F1 : Setup F3 : Patch
F2 : Xio F4 : Lock

STEP-2 and press **【F1】**

F1 : Lcd
F2 : Reset system

STEP-3 and press **【F1】**

F1 : Backlight
F2 : Concen

STEP-4 and press **【F1】** for brightness of LCD background lighting, press **【F1】** again to save.

F1 : Backlight
F2 : Concen

8-1-2 LCD contrast adjustment

STEP-4 refer to STEP-4, press **【F2】** key to adjust the contrast of LCD, and press **【F2】** again to confirmed.

F1 : Backlight
F2 : Concen

8-1-3 DATA delete

STEP-1 press **【SET】**

F1 : Setup F3 : Patch
F2 : Xio F4 : Lock

STEP-2 and press **【F1】**

F1 : Lcd
F2 : Reset system

STEP-3 and press **【F2】**

Reset All Data!
Are You Sure? F1

STEP-4 and press **【F1】** to delete all data, the BLANK will be activate, press **【BLANK】** key to continue the further setting.

* DESK BLACK OUT *
CX-12
V2.08 (C) 1997- 98
BY LITE PUTER

The display will be blinking

8-2 External memory card save / load

STEP-1 Press **【SET】**

F1 : Setup F3 : Patch
F2 : Xio F4 : Lock

STEP-2 and press **【F2】**

F1 : Read
F2 : Save

press **【F1】** for external memory loading
press **【F2】** for external memory saving

8-3 Channel patch setting / warm up setting

8-3-1 Channel patch setting (up to 4 set of setting)

EX : To patch DIMMER097channel to CH01 of CX-12

STEP-1 Press **【SET】**

F1 : Setup F3 : Patch
F2 : Xio F4 : Lock

STEP-2 and press **【F3】**

F3:DMXin
F2:DMXo F4:Wrmup

STEP-3 and press **【F2】**

F1 : Load F3 : Edit
F2 : Save F4 : Clear

STEP-4 and press **【F3】**

F1/ 2 / 3 / 4=1/ + / - /d
DIMMER001<=CH01

press **【F1】** to DIMMER 001
press **【F2】** DIM to + 1
press **【F3】** DIM to -1
press **【F4】** DIM address selection

STEP-5 Press **【F4】** , for DIM staring address

1:97 2:193 3:289
DIMMER001<=

press **【F1】** DIMMER097
press **【F2】** DIMMER193
press **【F3】** DIMMER289

STEP-6 Press **【F1】** for DIMMER097<=CH--

F1/ 2 / 3 / 4=1/ + / - /d
DIMMER097<=CH--

STEP-7 key【0】,【1】for DIMMER097<=CH01, and press【ENTER】key to confirmed the setting, the *DIMMER097 had PATCH to CX-12 之 CH01*

F1/2/3/4=1/+/-/d
DIMMER097<=CH01

STEP-8 press 【SET】 to escape

F1 : Load F3 : Edit
F2 : Save F4 : Clear

STEP-9 press 【F2】 the save (4 set of setting available F1~F4)

STEP-10 press 【F1】 to load the patch data from F1~F4

STEP-11 press 【F4】 to delete the date, and back to the default setting

8-3-2 Warm up setting 0~9%

STEP-1 press 【SET】

F1 : Setup F3 : Patch
F2 : Xio F4 : Lock

STEP-2 and press 【F3】

F3:DMXin
F2:DMXo F4:Wrmup

STEP-3 and press 【F4】

F1 : ALLCh
F2 : LoadSc F4 :Clr

1. 【F1】 : to select all channel warm up setting
2. 【F2】 : SCENES loading
3. 【F4】 : to delete the last step scene setting

8-4 Lock / unlock function

8-4-1 password setting

STEP-1 press **【SET】**

F1 : Setup F3 : Patch
F2 : Xio F4 : Lock

STEP-2 and press **【F4】**

F1 : Pgm.
F2 : Key

【F1】 : SET, PROG key lock
【F2】 : all function key lock

STEP-3 press **【F1】** , to lock **【PROG】** key

LOCK PROGRAM:
PASSWORD : 0000

Enter 4 digit number, or enter "6248" of default password setting

STEP-4 press **【ENTER】** key to confirmed the setting

8-4-2 unlock

press **【SET】** ,and press 4 digit number of password **【XXXX】** and press **【ENTER】** to unlock