

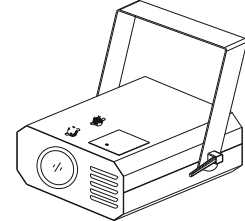
# RANDAN/DMX IGLHT USER MANUAL

model: ME 2230

ME 2230 RANDAN LIGHT is a kind of disco light by using light beams to produce beautiful designs. It can be worked in DMX mode or in linkable mode, which is suitable for small and middle sized entertain occasion.

## I. Technical Date:

Lamp: ELC 24V/250W  
 Voltage: AC 120V, 60Hz  
 Color: RED, YELLOW, BLUE, GREEN, PURPLE, ORANGE  
 FUSE: 5A/125V  
 DMX input & output: 3pin XRL male & female socket  
 Weight: 9KG  
 Measurement: L305XW275XH 140 mm

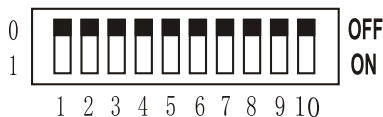


## II. Features

- \* 14 gobos of different colors
- \* Internal program or sound activation.
- \* dmx mode or linkable mode

## III. Operational Instructions:

1. Unpack the carton to check if there is any damaged or missing parts when you receive the unit, call the local dealer if anything is found not in a normal condition.
2. Open the lid to install lamp. Keep the lamp untouched by hand and disconnect the unit from power while Relamping.
3. Use a clamp to hang the unit onto the truss fasten tight. Tie the unit steadily onto the truss by winding a chain through the bracket of the unit.
4. Place the unit where there is efficient ventilation, away from any flammable and explosive objects.
5. Check that the rated power corresponds to the main supply.
6. According the diagram to select function



FUNCTION

FUNCTION										FUNCTION
X	X	X	X	X	X	X	X	X	X	SLAVER
			X	X	X	X	X	X		SOUND
			X	X	X	X	X	X		AUTO
			X	X	X	X	X	X		MANUAL

- a. Slaver means the unit must be worked in linkable mode, which is controlled by master .
- b. sound. Auto. manual must be a master.  
 In Auto & manual , color & gobo is controlled by itself and mirror bowl is controlled by sound
- C. In manual function , you can select the different color & gobo

MANUAL SELECT

MANUAL SELECT										COLOR & GOBO
						X	X			Close
						X	X			1
						X	X			2
						X	X			3
						X	X			4
						X	X			5
										...
						X	X			14

d. In DMX mode, the unit need two channel dmx data, reference the table to select your desired lighting effect.

The first channel data is for mirror bowl and the second channel data is for color & gobo

DMX DATA FOR MIRROR BOWL

DATA	MIRROR BOWL
0-100	FORWARD OR REVERSE
101-150	FORWARD
151-200	REVERSE
201-255	FORWARD AND REVERSE CONTINUOUS

DMX DATA FOR COLOR & GOBO

DATA	COLOR & GOBO
0 - 9	CLOSE
10 - 19	1
20 - 29	2
30 - 39	3
40 - 49	4
50 - 59	5
60 - 69	6
70 - 79	7
80 - 89	8
90 - 99	9
100 - 109	10
110 - 119	11
120 - 129	12
130 - 139	13
140 - 149	14
150 - 229	THE SPEED OF SHITTER
230 - 255	THE SPEED OF GOBO&COLOR

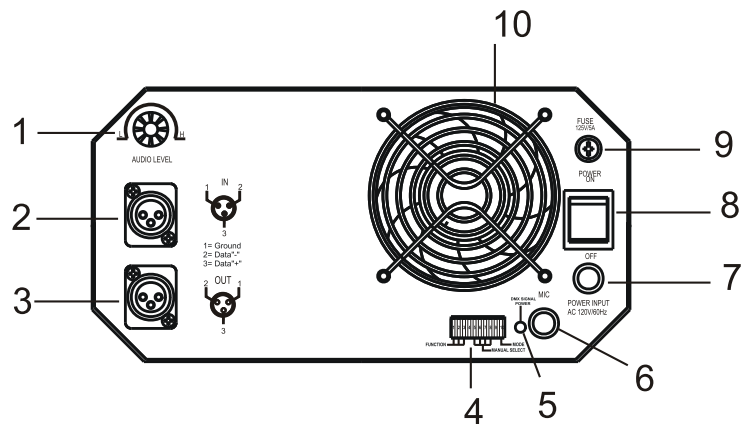
e. According to the next table to select dmx address.

DMX ADDRESS

1 2 3 4 5 6 7 8 9 10	ADDRESS
□ □ □ □ □ □ □ □ □ □	DMX ADDRESS 1
□ □ □ □ □ □ □ □ □ □	DMX ADDRESS 2
□ □ □ □ □ □ □ □ □ □	DMX ADDRESS 3
⋮	⋮
□ □ □ □ □ □ □ □ □ □	255
⋮	⋮
□ □ □ □ □ □ □ □ □ □	511

#### IV. Controls and Components(rear)

1. Audio level adjuster
2. DMX input socket
3. DMX output socket
4. Dip switch
5. Power or DMX single indicator
6. mic
7. Power cord
8. Power switch
9. Fuse: 5A /125V
10. fan



#### V. Bulb installation / Replacement

1. Before opening unit, make sure that the unit is cool and is not connected to any power source.
2. Remove the screw on the access door on the top of the unit. Lift accesses door open.
3. Install/replace halogen bulb. Make sure the bulb is in securely; do not touch the glass on the bulb with your bare hands, if you touch the glass, clean it with alcohol using a cotton ball or soft cloth.
4. Close the access doors and tighten the screws.

#### VI. Caution:

Never open this unit when it is hot and / or is connected to a power source.

We recommend extending the life of the unit that you use a chaser with this unit, or cycle the use of the unit by giving the unit a break after 30 minutes of continuous use.

Never use this unit in a wet and/ or dusty room.

Replace bulbs and fuse with those of proper specifications.