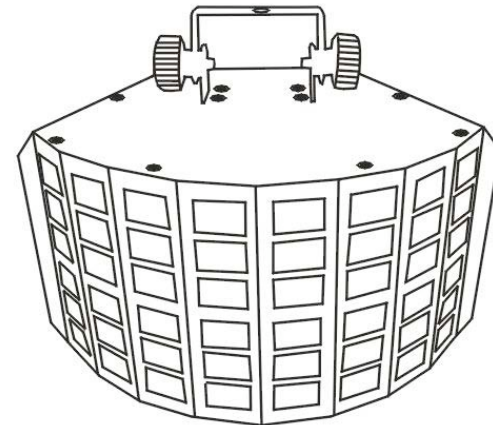




# LEDDANCER48

## User Manual



Please read this user manual before using this product.

## Features

Voltage: AC100-240V 50Hz/60Hz

Power: 20W

Light source: 1\*3W Red, 1\*3W Green, 1\*3W Blue LEDs

4operation modes: Automatic running, DMX, Sound Active, Master/Slave

Sound controlled via built-in microphone

6 DMX channels

Advantages of LED-technology: extremely long life, low power consumption minimal heat emission, defacto maintenance free with brilliant light radiation

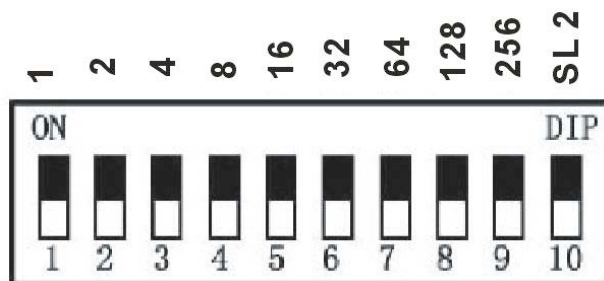
## INTRODUCTION

Thank you for choosing our LEDDANCER48, you will see you have acquired a powerful and versatile device.

### DMX512 Controller instruction

ON	OFF	Function
CH 1	.....	Red dimmer
CH 2		Green dimmer
CH 3		Blue dimmer
CH 4		Open light
CH 5		Strobe
CH6	.....	Motor

### DIP control instruction



Address code	Address code	Function instruction
ON	OFF	
1	2.3.4.5.6.7.8.9,10	Sound active(Master),auto run when no sound
1,2	3.4.5.6.7.8,9,10	Slow run(when no sound)
1,3	2.4.5.6.7.8,9,10	Quick run(when no sound)
9	1.2.3.4.5.6.7.8.10	All bright, motor auto run
	1.2.3.5.6.7.8.9,10	Slave 1(DMX)
10	1.2.3.4.5.6.7.8.9	Slave 2
1,2,3,4,5,6,7,8,9		DMX

## Safety instruction

### CAUTION!

Be careful with your operations. With a dangerous voltage you can suffer a dangerous electric shock when touching the wires!  
Electric shock when touching the wires!

This device has left our premises in absolutely perfect condition. In order to maintain this condition and to ensure a safe operation, it is absolutely necessary for the user to follow the safety instructions and warning notes written in this manual.

**Please note:** information is subject to change without prior notice.