

XSTATIC
PRO LIGHTING

FUSION RGBWA X-Par36RGBWA1W

**RGBWA Color Mixing
LEDs produce a variety
of color effects
32 Million Colors with
RGBWA LEDs**



USER MANUAL



FUSION RGBWA X-Par36RGBWA1W

Table of Contents:

INTRODUCTION	3
TECHNICAL SPECIFICATIONS	4
ON BOARD SYSTEM	5
DMX CONTROL FUNCTIONS	7
REMOTE CONTROL FUNCTIONS	8

Please read carefully before use

Thank you for purchasing the Xstatic Pro Lighting *FUSION RGBWA*. Every *Fusion* has been thoroughly tested and has been shipped in perfect operating condition. Carefully check the shipping carton for damage that may have occurred during shipping. If the carton appears to be damaged, carefully inspect your fixture for any damage and be sure all equipment necessary to operate the unit has arrived intact. In the event damage has been found or parts are missing, please contact us for further instructions. Please do not return this unit to your dealer without contacting customer support first.

Introduction:

The *Fusion* has eight channels. The fixture can operate in three different operating modes; DMX control, sound-active, or in a Master/Slave configuration. The *Fusion* comes with several built in programs that can be used, while operating as a dimmer unit or when used in multiples linked in a master/slave configuration. For best results use fog or special effects smoke to enhance the beams projections.

Warning!

- To prevent or reduce the risk of electrical shock or fire, do not expose this unit to rain or moisture.
- When “power linking” the *Fusion*, do not exceed 16 units

FUSE REPLACEMENT

1. Disconnect the product from power.
2. Wedge the tip of a flat-head screwdriver into the slot of the fuse holder.
3. Pry the safety cap out of the housing.
4. Remove the blown fuse from the clip on the front of the safety cap and replace with a fuse of the exact same type and rating.
5. Re-insert the fuse holder and reconnect power.

Features of X-PAR36RGBWA1W

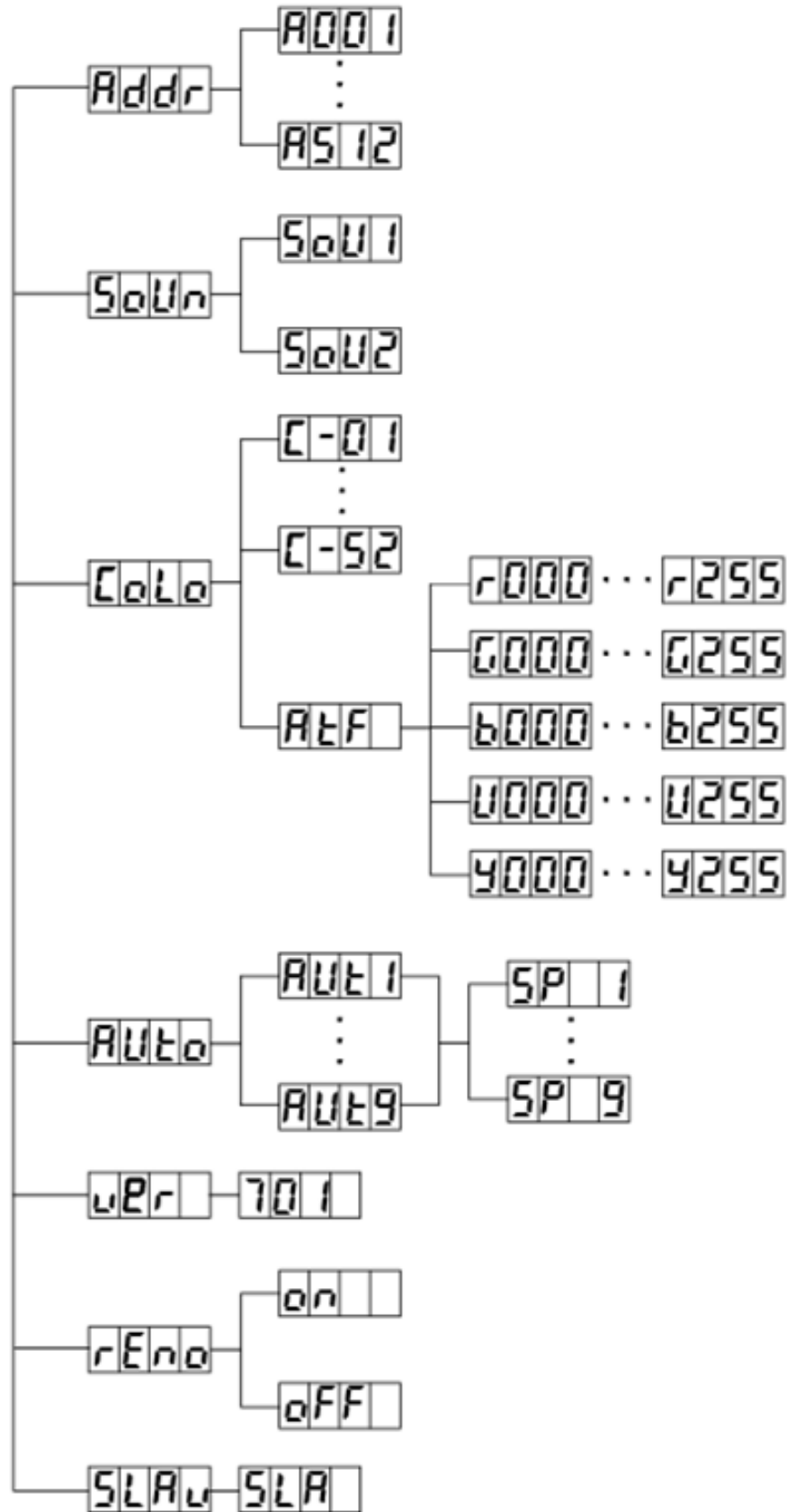
- RGBWA Color Mixing
- Color Strobe Effect
- Color Mix Effect
- LED Chases (Adjustable Speeds)
- Electronic Dimming 0-100%
- Built in Microphone
- DMX-512 protocol
- Eight DMX Modes

Specifications of X-PAR36RGBWA1W

- Voltage: 100V~240V/50~60Hz
- LEDs: 36 x 1W LEDs (8 Red, 8 Green, 8 Blue, 6 White, 6 Amber)
- Power Consumption: 30W
- Fuse: 1Amp
- Colors: RGBWY Color Mixing
- Maximum Ambient Temperature 40°C
- Weight: 1.3Kg
- Size: 11" x 7.5" x 7.5"

On Board System

* Please Note: Specifications and improvements in the design of this unit and this manual are subject to change without any prior written notice.



Addr - *DMX Address Setting via control board*

1. Tap the MENU button and UP button or DOWN button until "Addr" is displayed, press ENTER.
2. "Axxx" will now be displayed, "x" represents the displayed address. Press the UP or DOWN buttons to find your desired address.

Soun - *This menu will let you select your desired sound mode*

1. Tap the MENU button until "Soun" is displayed, press ENTER.
2. "Soux" will now be displayed, you can confirm two modes by UP or DOWN for sound mode.

Colo - *This menu will let you select your desired colour mode*

1. Tap the MENU button and UP button or DOWN button until "CoLo" is displayed, press ENTER.
2. Either "C- X", "X" representing a number between 1-52 or "AtF" will be displayed. Press the UP or DOWN buttons to select either a static color or "AtF" mode. If you select a static color press ENTER and it will be confirmed.
3. "AtF" Make your own color by mixing and adjusting the red, blue and green manually. Select "AtF", press ENTER, "rxxx" "Gxxx" "bxxx" "Uxxx" or "Yxxx" will be displayed. then you can adjust it between 1-255, press MENU ,you can select other color by ENTER to adjust it.

Auto - *This menu will let you select your desired auto mode*

1. Tap the MENU button and UP button or DOWN button until "Auto" is displayed, press ENTER.
2. "Autx" will now be displayed, You can confirm nine modes by UP or DOWN for auto mode.

● *uer-This will display the software version*

1. Press the UP or DOWN button until «uer» is displayed, press ENTER.
2. The software version will be displayed.

● *reno - This menu will let you select your desired sound mode*

1. Tap the MENU button until "reno" is displayed, press ENTER.
2. "on" or "off" will now be displayed, you can select to close or open the infrared.

● *SLav- This menu will let you select your desired Master/slave mode*

1. Tap the MENU button until "SLav" is displayed, press ENTER.
2. "Sla" will now be displayed, Slave mode is confirmed. It will be slaved by auto mode sound mode and chase mode

DMX control mode

Channel	Value	Function
ch1	0--255	All led (0%--100%)
ch2	0--255	Red (0%--100%)
ch3	0--255	Green (0%--100%)
ch4	0--255	Blue (0%--100%)
ch5	0--255	White(0%--100%)
ch6	0--255	Yellow(0%--100%)
ch7	0--255	speed(slow — fast)
ch8	0 --15	No function
	16 --31	Sence R-G-B-RG-G
	32 --47	Sence G-GB-B-RB-R
	48 --63	Sence R-B-G-RG-G
	64 --79	Sence R-G-GB-RBG-G
	80 --95	Sence B-BG-RGB-RG-G
	96 --111	color sync strobe
	112--127	color fade
	128--143	color change
	144--159	color change and strobe
	160--175	color fast in slow out
	176--191	color slow in fast out
	192--207	color slow in slow out 1
	208--223	color glide
224--239	Sound 1	
240--255	Sound 2	

IR Controller



Power on/off button



DMX button, to control DMX address when press this button. It is channel mode when double click.



Master-slave mode button.



Automatic mode button



Speed adjustive button



Sound mode button



Up and down button, you can choose the program that you need or numerical.



Strobe button



You can use these number button to adjust numerical in any program mode.



Color choosing button.

NOTES



Find your dealer on our website to ask about more innovative products from...



cases
trusses
stands
cables

901 Essex Street, Brooklyn, NY 11208
Tel: (718) 237-2299, Fax: (718) 237-2318
Email: info@xstaticusa.com

NO DIRECT SALES, DEALERS AND DISTRIBUTORS ONLY

Please register your product on ProXdirect.com
or tag us on your social media website
#proxdirect